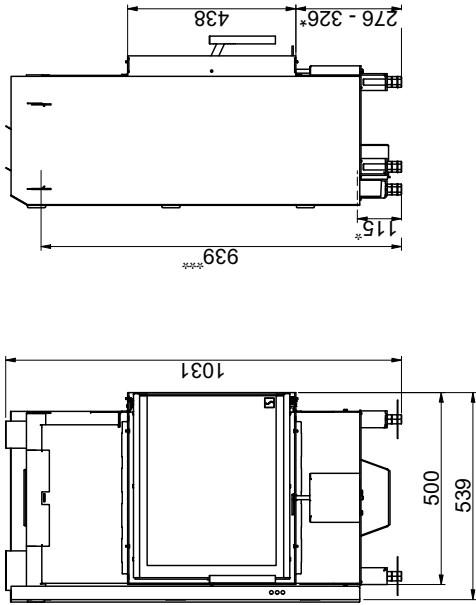
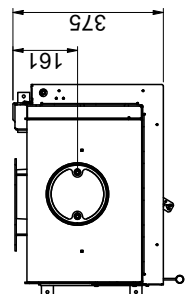
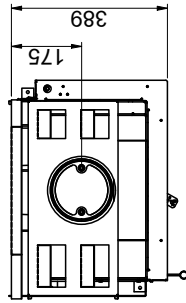
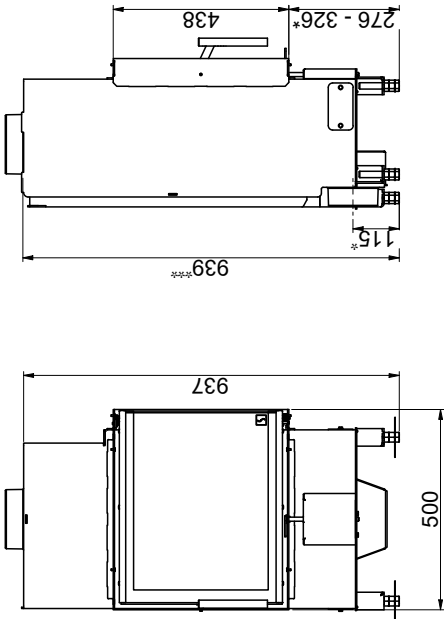


DIMENSION SKETCH AND MINIMUM DISTANCES

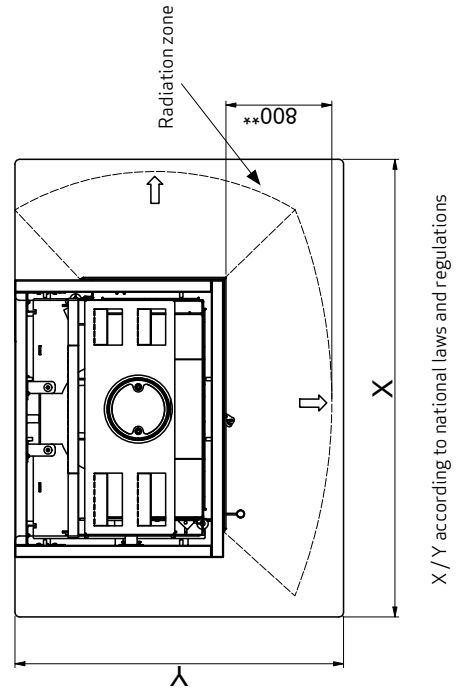
Scan 5006 with heat shield to fire wall (Accessory)



Scan 5006



Floor plate



Flammable material

All distances are in mm.

All distances are minimum distances

* Connection of fresh-air intake - inside measure: Ø108 mm - outside measure: 125 mm

** Min. distance to furniture/flammable material

*** Height to the beginning of flue connecting piece at top/rear outlet.

flue conn. piece - inside measure: Ø132 mm - outside measure: Ø149 mm